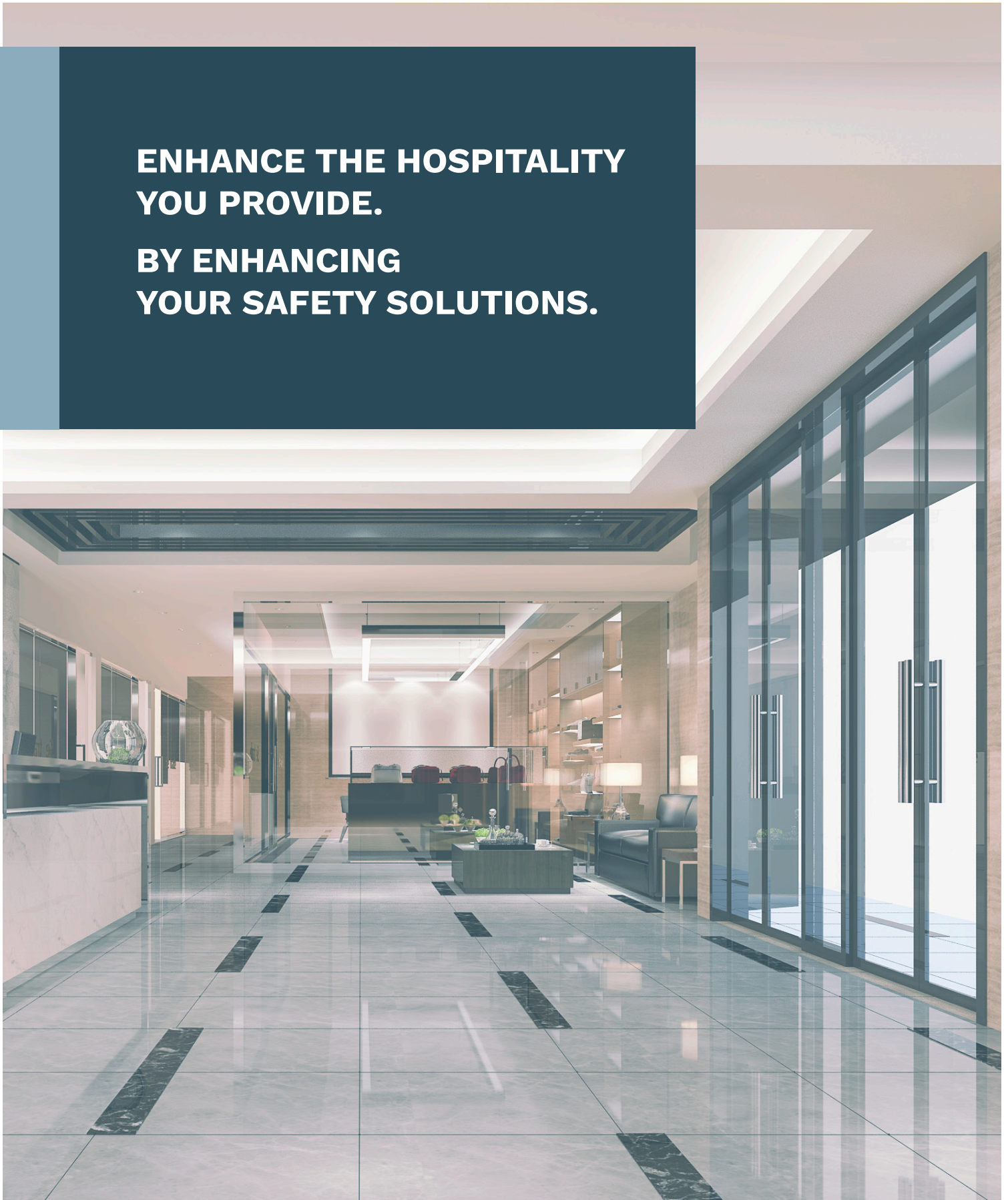




**LOCKS & ARCHITECTURAL
FITTINGS AND SYSTEMS**

FOR A SAFER, SMARTER LIVING EXPERIENCE.

**ENHANCE THE HOSPITALITY
YOU PROVIDE.
BY ENHANCING
YOUR SAFETY SOLUTIONS.**

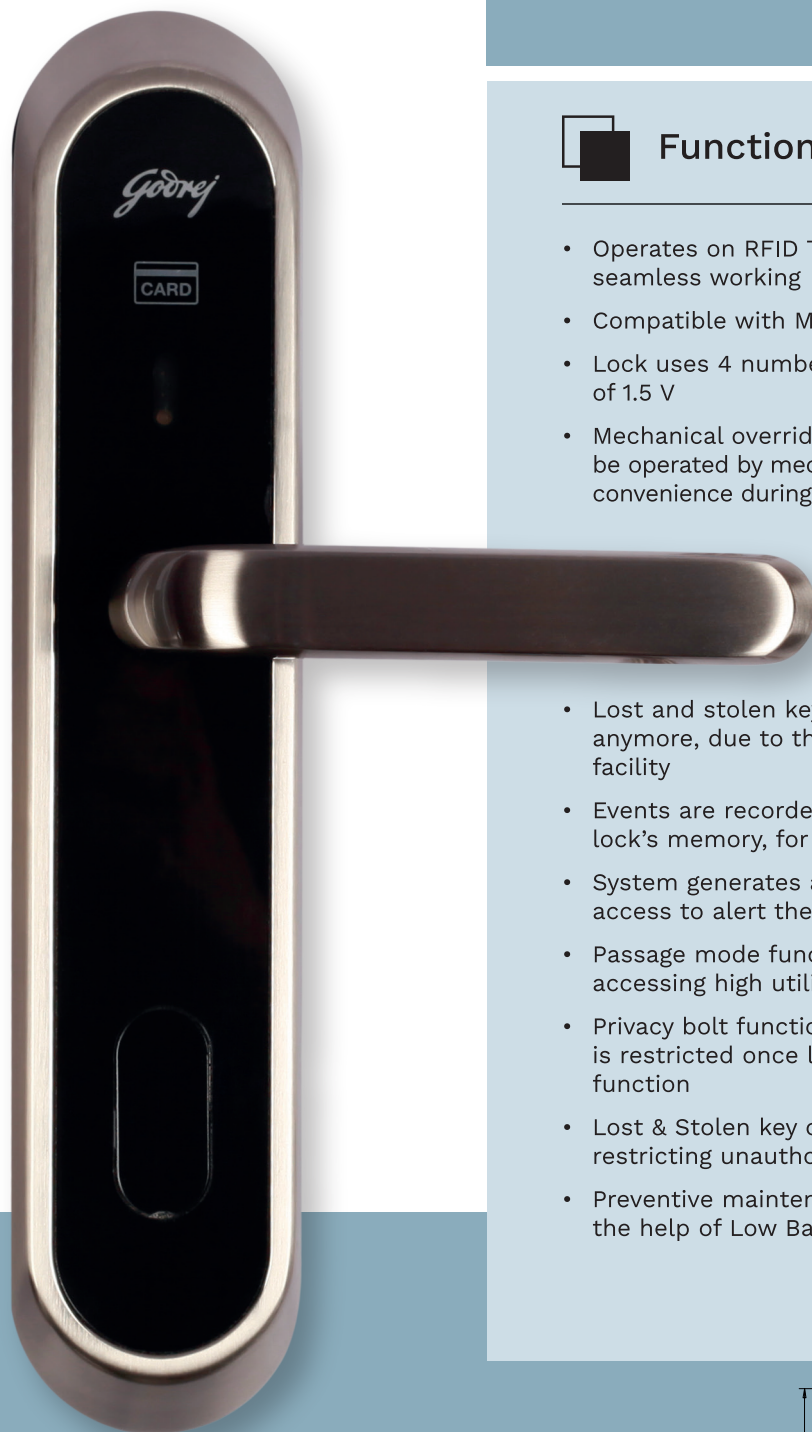


CATUS

Functions & Features

- Operates on RFID Technology (13.56MHz) for seamless working
- Compatible with MIFARE Technology
- Lock uses 4 numbers of alkaline batteries of 1.5 V
- Mechanical override key: Individual locks can be operated by mechanical keys, which offer convenience during the time of emergency

- Lost and stolen keys are not an issue anymore, due to the programmable card facility
- Events are recorded and stored into the lock's memory, for easy audit retrieval
- System generates alarm during unauthorized access to alert the people around
- Passage mode function, offers ease of accessing high utility door
- Privacy bolt function: Unlocking through card is restricted once lock is in privacy bolt function
- Lost & Stolen key can be blacklisted, restricting unauthorized entries
- Preventive maintenance can be carried with the help of Low Battery Indication

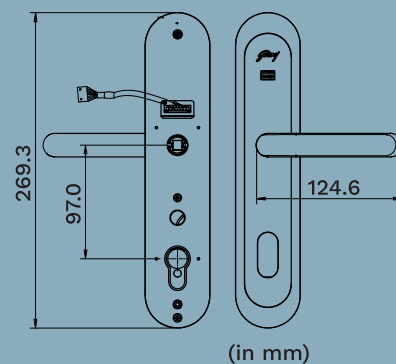


SPECIFICATIONS

Suitable for Door Thickness:
35mm-55mm

Surface Finish:
Satin Nickel

Certification:
EN61000-4, IEC 60068-2-2, IEC 60068-2-1, IEC 60068-2-30,
EN 61000-4-2, EN 61000-4-3, FCC type 15/ CISPR 22



CATUS SYSTEM OVERVIEW

Introducing next generation RFID locking solutions for the Hospitality Industry.



Key System Features

- Technology: RFID (13.5 Mhz)
- Accessories: HHD, Encoder, Software
- Guest/Staff/Emergency/Master cards
- Passage / Privacy mode
- Low battery indication
- PMS/BMS integration
- Audit logs
- Access management through software & encoder
- Configuration of locks & reading of logs by HHD

* Lift integration can also be provided with the above accessories.



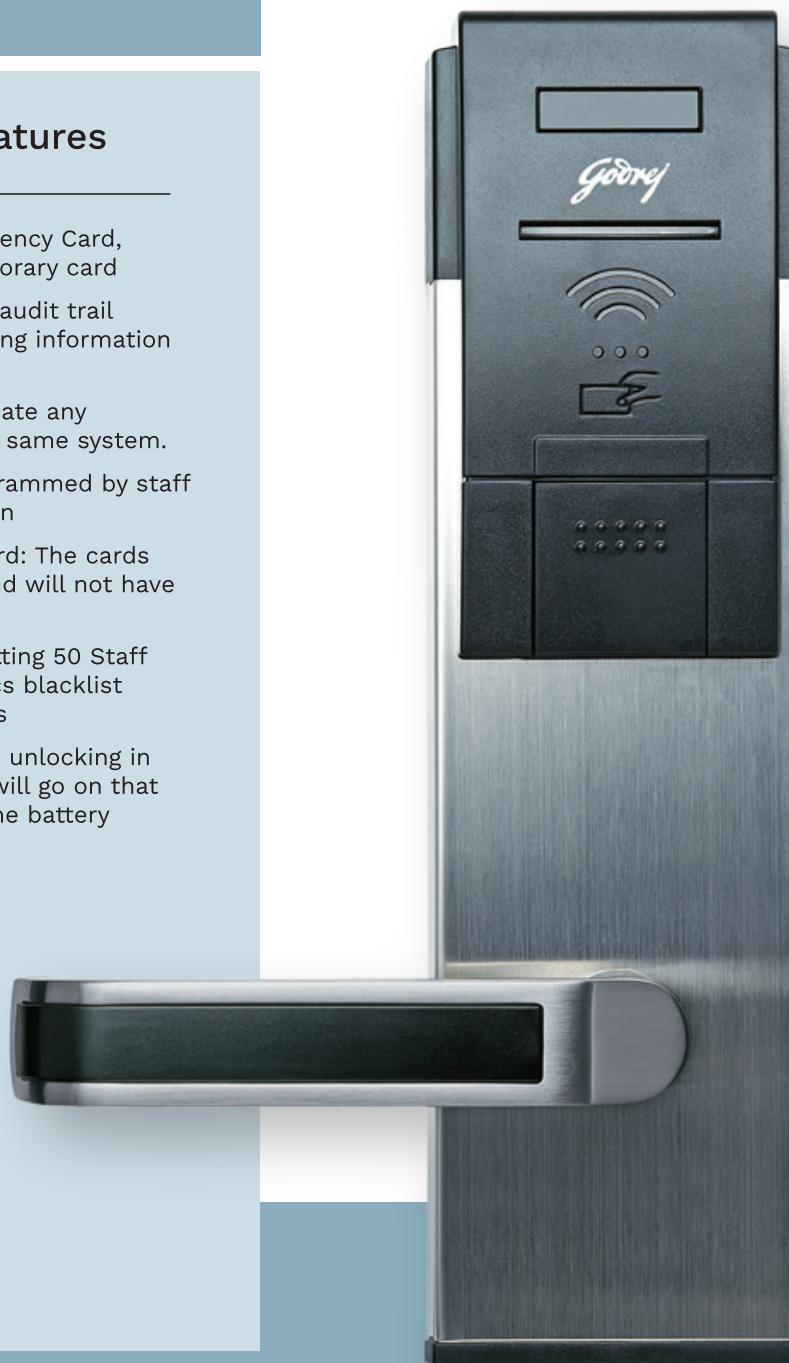
EN61000-4

*The images are shown for illustrative purposes only.

MAGNA

Functions & Features

- Can be operated with: Emergency Card, Guest Card, Staff Card, Temporary card
- Query Card: To get access of audit trail access records and lock setting information from the lock
- Terminating Card: Can terminate any Unlocking Card issued by the same system.
- Temporary card: Can be programmed by staff card in case system shutdown
- Emergency Card & Master Card: The cards that can open double lock and will not have time validity limitations
- Storage Capacity: Default Setting 50 Staff Cards, 256 Guest Cards, 76pcs blacklist space, 414pcs Access Records
- Low Voltage Indication: While unlocking in low voltage status an alarm will go on that will remind user to replace the battery

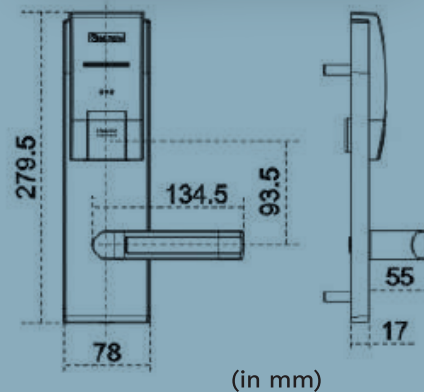


SPECIFICATIONS

Suitable for Door Thickness:
40mm-50mm

Surface Finish:
Brushed Stainless Steel

Certification:
CE (EN14846), ANSI (Grade 2), Fire test (55 minutes)



ORION



Functions & Features

- Can be operated with: Emergency Card, Guest Card, Staff Card, Temporary card
- Query Card: To get access of audit trail access records and lock setting information from the lock
- Terminating Card: Can terminate any Unlocking Card issued by the same system
- Temporary card: Can be programmed by staff card in case system shutdown

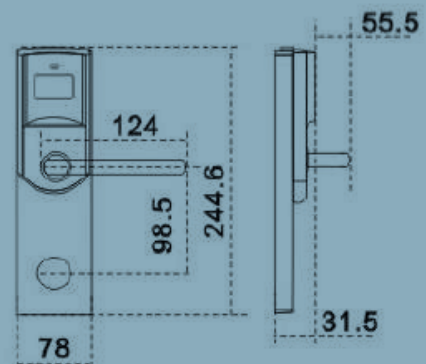
- Emergency Card & Master Card: The cards that can open double lock and will not have time validity limitations
- Storage Capacity: Default Setting 50 Staff Cards, 256 Guest Cards, 76pcs blacklist space, 414pcs Access Records
- Low Voltage Indication: While unlocking in low voltage status an alarm will go on that will remind user to replace the battery

SPECIFICATIONS

Suitable for Door Thickness:
40mm-50mm

Surface Finish:
Brushed Stainless Steel

Certification:
CE (EN14846)



(in mm)

OMEGA

Functions & Features

- Can be operated with: Emergency Card, Guest Card, Staff Card, Temporary card
- Query Card: To get access of audit trail access records and lock setting information from the lock
- Terminating Card: Can terminate any Unlocking Card issued by the same system
- Temporary card: Can be programmed by staff card in case system shutdown
- Emergency Card & Master Card: The cards that can open double lock and will not have time validity limitations
- Storage Capacity: Default Setting 50 Staff Cards, 256 Guest Cards, 76pcs blacklist space, 414pcs Access Records
- Low Voltage Indication: While unlocking in low voltage status an alarm will go on that will remind user to replace the battery

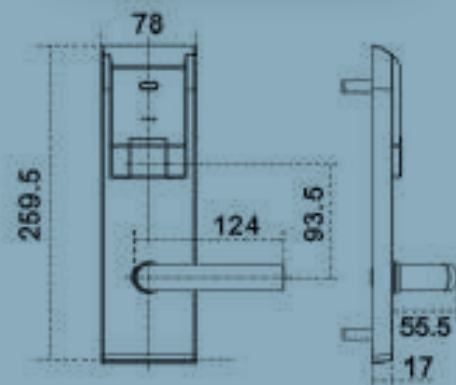


SPECIFICATIONS

Suitable for Door Thickness:
40mm-50mm

Surface Finish:
Brushed Stainless Steel

Certification:
CE (EN14846)



(in mm)

SYSTEM OVERVIEW (MAGNA, ORION, OMEGA)

Introducing next generation RFID locking solutions for the Hospitality Industry.



* Lift integration can also be provided with the above accessories.

*The images are shown for illustrative purposes only.

ENERGY SAVING DEVICE

- Material: Plastic
- Card: High - Frequency 13.56 MHz
- Working Voltage – 50/60Hz 110V or 220V
- Maximum Load Current: 30A
- Maximum Load Power: 6600W
- Delayed Outage Time: 15 Secs
- Operating Temperature: -10° to 60°



*This image is shown for illustrative purposes only

GODREJ SOLUTIONS FOR HOSPITALITY



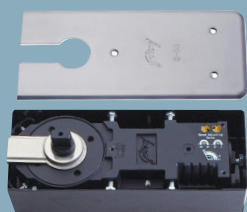
Digital Door Locks



Door Closers



Hotel Card Locks



Glass Fittings



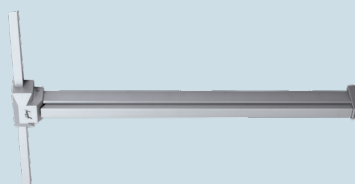
Cylindrical Locks



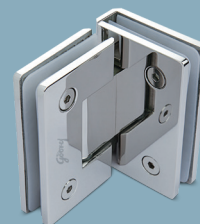
Door Automatic



Cabinet Hinges



Panic Devices



Shower Fittings

Godrej & Boyce Mfg. Co. Ltd.

Godrej Locks & Architectural Fittings and Systems Division, Plant 18 A, Pirojshanagar, Vikhroli (E), Mumbai - 400 079. India
Tel: +91-22-6796-4890 | Toll Free No.: 1800 209 5511 | Website: www.godrej.com | Email: locksmkt@godrej.com

 GodrejLocks |  godrejlocks |  GodrejLocksS

NOVEMBER 2022